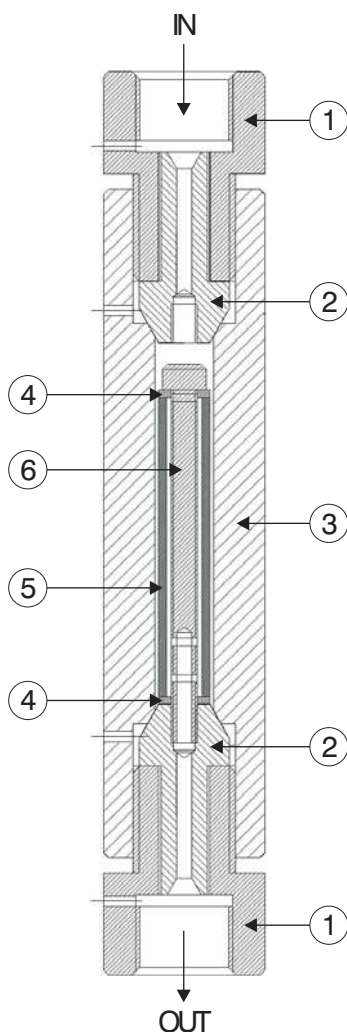


- Unscrew the two high pressure unions located at the bottom of the filter and, if required, any other unions that prevent taking it out from the fastening frame.
- Unscrew the two unions ① and extract the two filter inserts ②.



Legend

- ① filter union, code B110-03A
- ② filter insert, code DB143-03
- ③ filter body, code DB109-03
- ④ filter guide, code DB128-07
- ⑤ filter cartridge, code DB176-03
- ⑥ filter cartridge screw, code DB111-03

- Loosen the camping screw ⑥ and replace the filtering element ⑤, or **make it boil** in the water for at least 10 minutes with compressed air. The above mentioned last solution can be considered as an alternative to the replacement, and it can be realized **twice** and it depends on a positive evaluation on the wear of the components of the cutting head.
- Grease the screw thread of the filter union 1 only the external part with a thin layer of special grease and reassemble everything.
- Reconnect the high pressure unions.

Warning



Check always that the filter shall be reassembled so that the water is able to go towards the way shown in the picture.

Attention



Check always as far as the high pressure unions are concerned that the pipe cone is not ruined enough and the collar is in the right position.